

CONSTRUCTION:

- A. CONDUCTOR: AWG 22(19 / 34) SILVER PLATED COPPER
OD: 0.029 MIN - 0.033 MAX
- B. DIELECTRIC: ePTFE TAPE, OD: (0.142)
- C. OUTER CONDUCTOR: SILVER PLATED COPPER FOIL, OD: (0.150)
- D. BRAID: AWG 38(1) SILVER PLATED COPPER
90% MINIMUM COVERAGE, OD: (0.165)
- E. JACKET: (0.010) WALL LASER MARKABLE WHITE FEP
PRINT TEXT: CXN3671 CAGE CODE: [CAGE CODE]
SEE PRINTING DETAIL

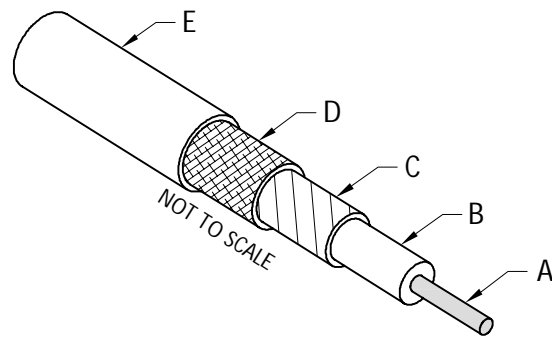
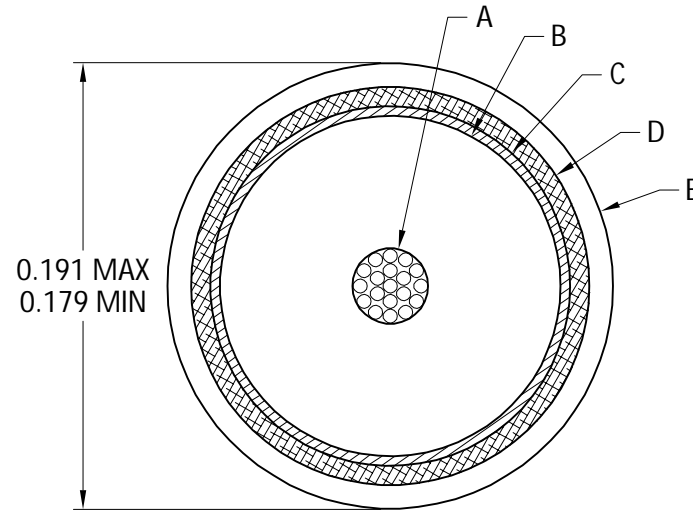
ELECTRICAL CHARACTERISTICS:

- 1. CHARACTERISTIC IMPEDANCE: $75 \pm 2 \Omega$
- 2. OPERATING FREQUENCY RANGE: DC - 6 GHz
- 3. ATTENUATION:
GUARANTEED: 21.0 dB / 100 FT @ 3 GHz
35.2 dB / 100 FT @ 6 GHz
TYPICAL (SEE NOTE 1): 17.6 dB / 100 FT @ 3 GHz
31.4 dB / 100 FT @ 6 GHz

ENVIRONMENTAL CHARACTERISTICS:

- 1. OPERATING TEMPERATURE: -55° C TO +200° C

REVISIONS			
Rev	Description	Date	Chg'd By
01	Initial Release EM2 SPEC - 13946 G.Lawton	26 SEP 2018	TKG
02	EM2 ECO - 8605 G.Lawton	19 NOV 2018	TKG
A	EM2 ECO - 8674 T.Mayer	17 DEC 2018	DED
B	EM2 ECO - 9061 L.Mastrorilli	19 JUN 2019	DED



NOTES:

- 1. TYPICAL IS FOR REFERENCE ONLY

PARENTHESES DENOTE REFERENCE DIMENSIONS		UNLESS OTHERWISE SPECIFIED	
DIMENSIONS ARE IN INCHES			
DO NOT SCALE DRAWING		.X ± N/A	
DEBURR SHARP EDGES		.XX ± N/A	
 Third Angle Projection		.XXX ± N/A	
		.XXXX ± N/A	
FRACTIONS		± N/A	
ANGLES		± N/A	
SURFACE TEXTURE		N/A ✓	
BREAKS AND FILLETS		N/A MAX	

W. L. GORE & ASSOCIATES, INC. (Gore)
Performance Solutions Division
101 Lewisville Road, Elkton, MD 21921 410 / 392-3300
© 2018, 2019 W. L. Gore & Associates, Inc.

By acceptance of this document you agree that all rights to drawings, specifications, processes and other data contained therein, as well as the proprietary and novel features of the subject matter, are reserved by Gore and are disclosed in confidence. They are not to be manufactured, used, sold or disclosed to others, nor are devices embodying such features or information derived from these disclosures to be used or disclosed, unless and until expressly authorized by Gore. These drawings, specifications, processes, etc., are and remain the property of Gore and are not to be copied or reproduced without express permission, and are to be returned upon request therefor.

AWG 2219 75 Ω COAXIAL CABLE					
Dwg Size	Sheet	Scale	Associated Documents	Drawn	Rev Date
A	1 of 1	12.5:1	N/A	TKG	24 AUG 2018
Rev Date			Drawing Number		Rev Level
19 JUN 2019			CXN3671		B