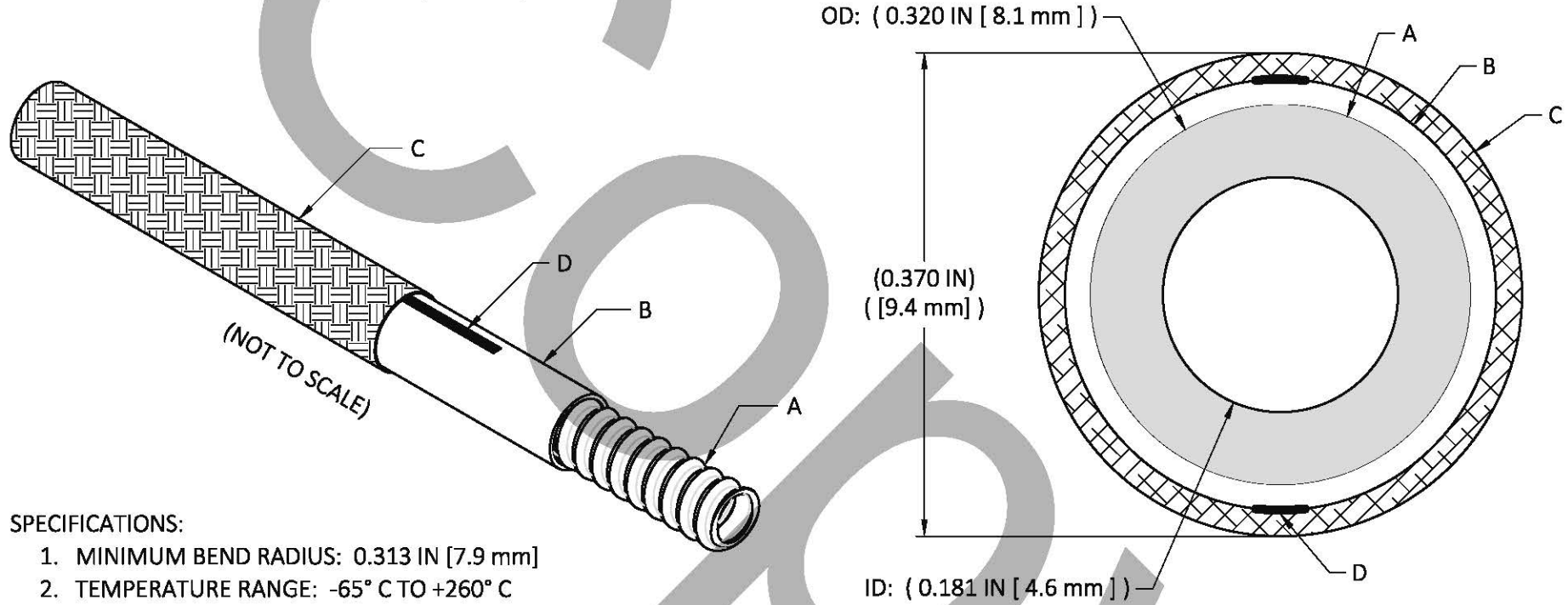


Rastex® is a registered trademark of W. L. Gore and Associates, Inc.

REVISIONS			
Rev	Description	Date	Chg'd By
01	Initial Release EM2 SPEC - 12192 J.Moore	20 JAN 2016	DED
02	EM2 ECO - 7524 J.Moore	14 SEP 2017	TKG
A	EM2 ECO - 7636 J.Moore No change to design Start Production Rev	02 NOV 2017	DED
B	EM2 ECO - 8025 J.Moore	29 MAR 2018	DED
C	EM2 ECO - 9232 T.Mayer	06 SEP 2019	DED
D	EM2 ECO - 9700 I.Black	21 MAY 2020	DED

CONSTRUCTION:

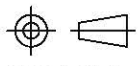

- A. FLEXIBLE TUBING, EXTRUDED BLACK PTFE (PER AS81914)
- B. BUFFER, ePTFE
- C. BRAID, BLACK / VIOLET RASTEX®
- D. ANTI-STRETCH MEMBER, VIOLET (2 PLACES)



SPECIFICATIONS:

- 1. MINIMUM BEND RADIUS: 0.313 IN [7.9 mm]
- 2. TEMPERATURE RANGE: -65° C TO +260° C
- 3. WEIGHT: (50) LB / 1000 FT
(74) kg / km
- 4. MINIMUM LENGTH: 50 FT

Valid only at time of printing

PARENTHESES DENOTE REFERENCE DIMENSIONS DIMENSIONS ARE IN INCHES DO NOT SCALE DRAWING DEBURR SHARP EDGES  Third Angle Projection INTERPRET DRAWING IN ACCORDANCE WITH ASME Y14.5M-1994 (R1399)		UNLESS OTHERWISE SPECIFIED .X ± N/A .XX ± N/A .XXX ± N/A .XXXX ± N/A FRACTIONS ± N/A ANGLES ± N/A SURFACE TEXTURE N/A BREAKS AND FILLETS N/A MAX		 W. L. GORE & ASSOCIATES, INC. (Gore) Performance Solutions Division 101 Lewisville Road, Elkton, MD 21921 410 / 392-3300 © 2016, 2020 W. L. Gore & Associates, Inc. By acceptance of this document you agree that all rights to drawings, specifications, processes and other data contained therein, as well as the proprietary and novel features of the subject matter, are reserved by Gore and are disclosed in confidence. They are not to be manufactured, used, sold or disclosed to others, nor are devices embodying such features or information derived from these disclosures to be used or disclosed, unless and until expressly authorized by Gore. These drawings, specifications, processes, etc., are and remain the property of Gore and are not to be copied or reproduced without express permission, and are to be returned upon request therefor.	
Title: GORE™ 9mm CABLE PROTECTION SYSTEM					
Dwg Size	Sheet	Scale	Associated Documents	Drawn	19 JAN 2016
A	1 of 1	8:1	N/A	DED	
Rev Date	Drawing Number		Rev Level		
21 MAY 2020	FON1580		D		